

auto electrical parts

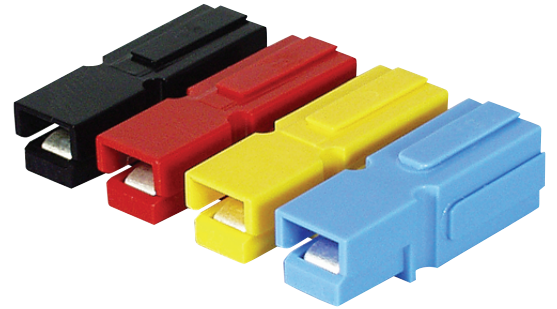
Technical Information Sheet

Part No. 0-014-01/02/05/08

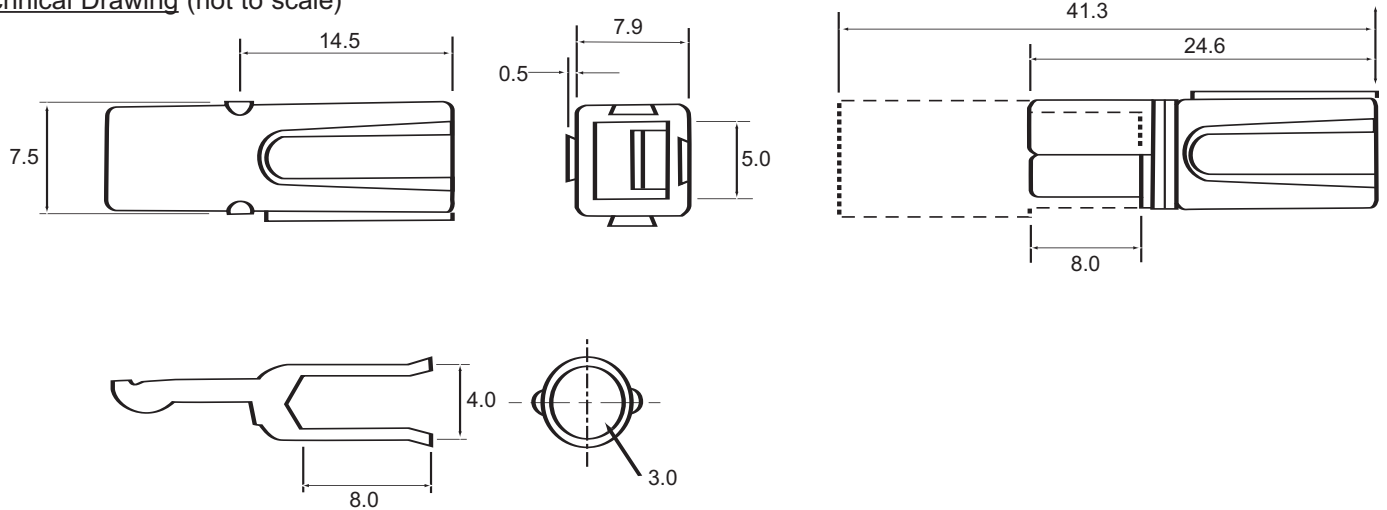
Polycarbonate, high current connector, 30 amp with silver plated solid copper terminals. Can be ganged to form multiple connector blocks.

Additional Information

The connectors are 'genderless' and are connected to each other by inverting one connector. There are no colour keys and hence connected colours can be mixed. The contacts are selfwiping.



Technical Drawing (not to scale)



Specification

Type	Power connector
DC rating @ 600 vdc	30 amps
Contact Material	Silver-plated copper
Spring	Stainless steel
Housing Material	Polycarbonate
Operating temperature	-20°C to +105°C
Insulation test voltage	2200v ac/dc
Contact retention force	25lbs
Connect/disconnect force	3lbs
Life cycles (no load)	10,000
Weight	4.5g
Dimensions	l 24.6 x w 7.9 x h 7.9mm
UL recognised	File No. E81817
CSA certified	File No. LR82704

The information contained in this document is correct to the best of our knowledge at the time of printing. However, specifications may change at any time without notice.

Gordon Equipments Limited

Durite Works
Valley Road
Dovercourt
Essex CO12 4RX
England



Tel: +44 (0)1255 555200
Fax: +44 (0)1255 555222
E-mail: sales@durite.co.uk
Web: www.durite.co.uk

Registered in England at address shown No. 373113
The words 'Gordon', 'Durite', 'Nolten' and 'Acfil' are registered trade marks